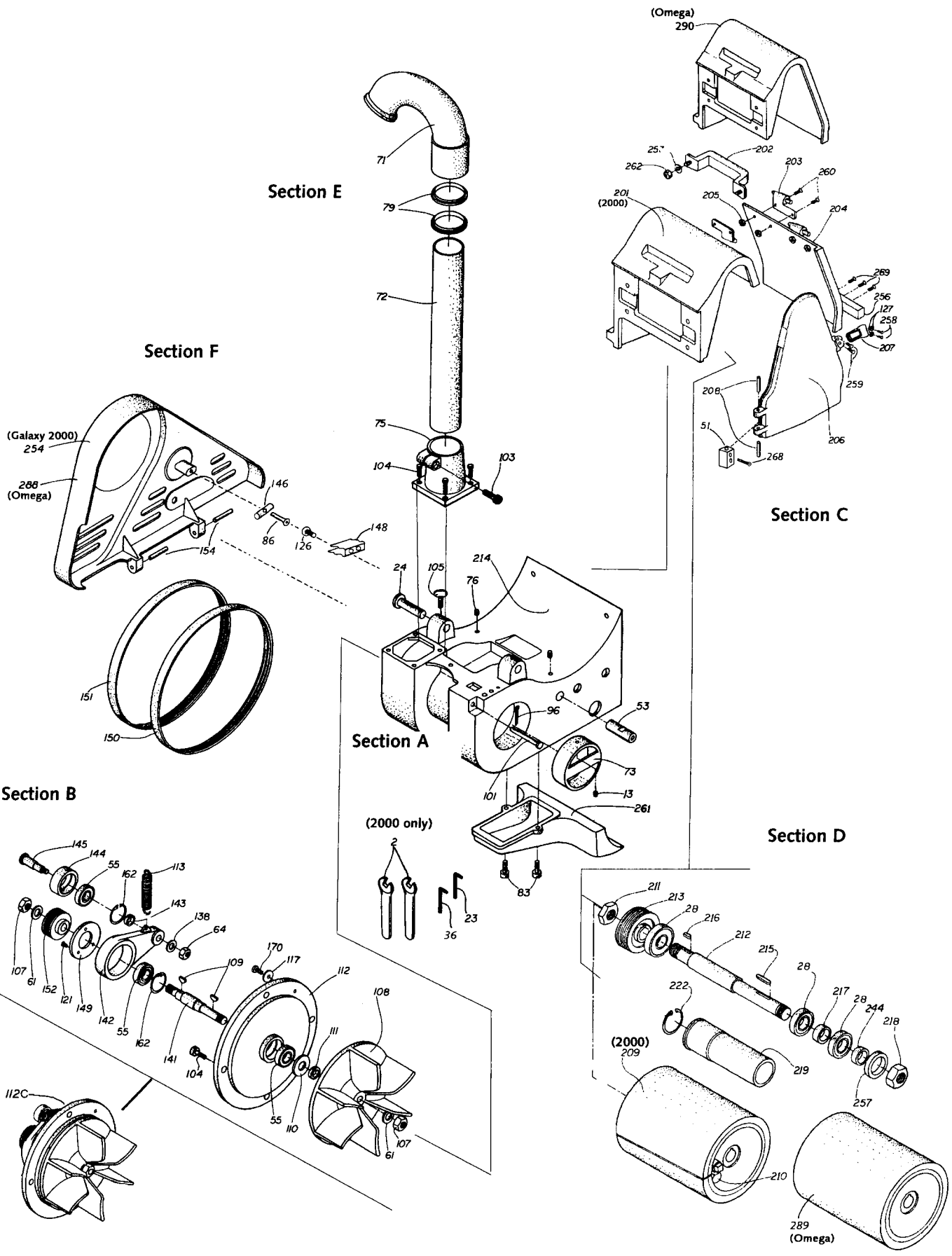

**GET TO KNOW YOUR GALAXY.
MACHINE SCHEMATICS**

- A. Frame Assembly**
 - B. Fan Assembly**
 - C. Drum Housing & Drum Covers**
 - D. Drum Assembly**
 - E. Dust Pipe and Elbow Assembly**
 - F. Drive Belt and Cover**
 - G. Control Lever and Spring Adjustment**
 - H. Wheel Carriage Assembly**
 - I. Rear Wheel Assembly**
 - J. Sanding Belt Guide Mechanism**
 - K. Motor Assembly**
 - L. Electrical**
 - M. Handles, Power Cord & Tools**
-



Section A - Frame Assembly

2.	Wrench - 7/16" Forged Steel - 2 (2000 only)	76.	Screw 3/8" - 16 x 1/2"- set - 2
13.	Screw - 5/16" x 1/4"- set - 1	83.	Screw 5/16" - 18 x 3/4" - set - 2
23.	Key - 5/32" Allen - 1	96.	Pin - Cotter 3/32" x 3/4" - 1
24.	Pin - Motor Release - 2	101.	Pin - 1
36.	Key - 1/4" - Allen - 1	105.	Screw - 5/16" - 18 x 3/8" Thumb - 2
53.	Shaft - Fulcrum - 2	214.	Frame - 1
73.	Cover - Clean Out - 1	261.	Pan - Dust - 1

Section B - Fan Assembly

55.	Bearing - Ball 6202 2RS1 - 3	117.	Washer - Flat #10 - 1
61.	Washer - Shakeproof - 2	121.	Screw - #8 - 32 x 1/2" F.H. Machined - 3
64.	Nut - 3/8" - 24 Hex Jam - 1	138.	Washer - #1120 Shakeproof - 1
104.	Screw - 1/4" - 20 x 5/8" Soc. Cap. - 4	141.	Shaft - Fan - 1
107.	Nut 1/2" - 20 x 3/16" Hex Jam Special - 2	142.	Arm - Idler - 1
108.	Fan - Vacuum - 1	143.	Spacer - Idler - 1
109.	Key - 1/8" x 1/2" Woodruff - 2	144.	Pulley - Idler - 1
110.	Seal - Dust 19 x 35 x 7 - 1	145.	Shaft - Idler Pulley - 1
111.	Collar - Fan - 1	149.	Cover - Retaining - 1
112.	Housing - Fan - 1	152.	Pulley - Fan - 1
112C.	Housing - Fan Complete	162.	Ring - Retaining - 2
113.	Spring - Idler Arm - 1	170.	Screw - 10-32 x 3/8" R.H. - 1

Section C - Housing - Drum

51.	Block Assembly - 1	253.	Washer - Lock - 2
127.	Nut 6 - 32 Lock - 2	256.	Bumper - Drum Front Cover - 1
201.	Housing - Drum 2000 - 1	258.	Screw - 6 - 32 x 5/8" R.H. - 2
202.	Handle - Lifting - 1	259.	Screw - 6 - 32 - 1" R.H. - 2
203.	Hinge - Torpedo - 2	260.	Screw - 10 - 32 - 3/4 F.H. - 8
204.	Cover - Drum Front - 1	262.	Nut - 5/16" - 7/8 Hex. - 2
205.	Nut 10- 32 Hex Locking - 8	268.	Screw 1/4 - 20 x 3/4 Flat Soc. Cap - 2
206.	Cover - Drum Side - 1	269.	Bumper Screw 10 - 32 x 1 Steel Pan Phillips - 3
207.	Latch - 1	270.	Brass Rivet - SE8-4 - 3
208.	Pin - Spring 1/4" x 1" - 2	290.	Housing - Drum Omega - 1

Section D - Drum Assembly

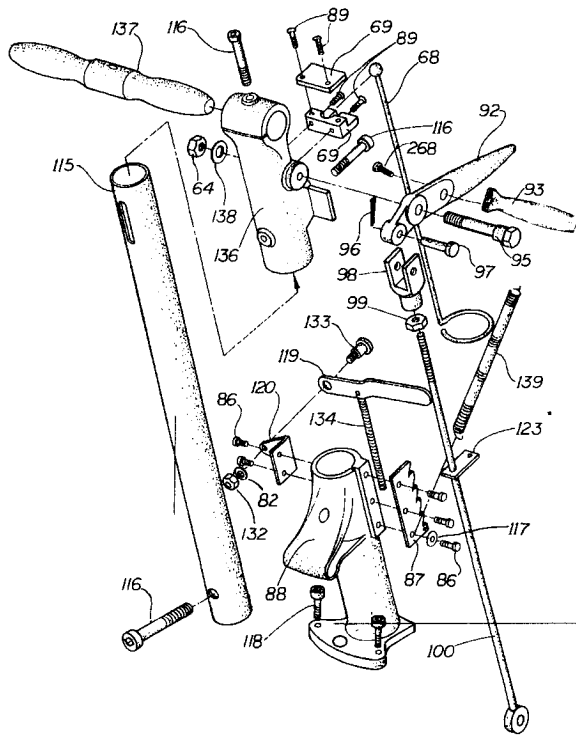
28.	Bearing - Drum 6205-2RSH - 3	217.	Spacer - Bearing Short - 1
209.	Drum - 2000 Plus - 1	218.	Nut - L.H. 24 mm - 1.5 - 1
210.	Tighteners - Sandpaper - 2	219.	Housing - Drum Cylinder - 1
211.	Nut - R.H. 24 - 1.5 - 1	222.	Ring - Retainer - 1
212.	Shaft - Drum - 1	244.	Spacer - Drum Long - 1
213.	Pulley - Drum - 1	257.	Seal - Dust 35 x 52 x 7 - 1
215.	Key - Drum Pulley 6x6x20mm - 1	289.	Drum - Omega - 1
216.	Key - Drum 6 x 6 x 15mm - 1		

Section E- Dust Pipe and Elbow Assembly

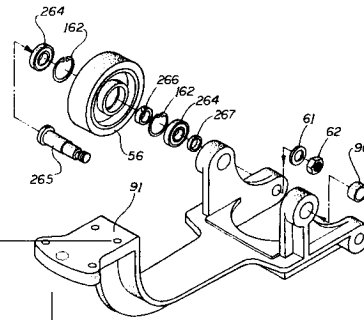
71.	Elbow - Swivel - 1	79.	Seal - Elbow - 2
72.	Pipe - Dust - 1	103.	Screw - 3/8" - 16 x 1-1/4" Soc. Cap - 1
75.	Bracket - Dust - 1	104.	Screw - 1/4" - 20 x 5/8" Soc. Cap - 4

Section F - Drive Belt and Cover

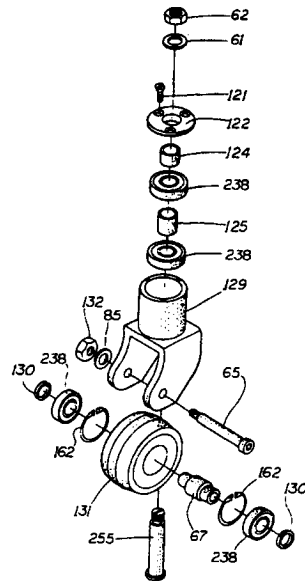
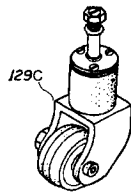
86.	Screw 1/4 - 24 x 3/4 Flat Soc. Cap - 1	151.	Belt - Drum - 1
126.	Screw 8-32 x 1/2 Pan- 2	154.	Pin - 3/16 x 1 1/2 - 2
146.	Shaft - Guard Holder - 1	254.	Guard - Belt 2000 - 1
148.	Clip - Guard Holder - 1	288.	Guard - Belt Omega - 1
150.	Belt - Fan - 1		



Section G



Section H



Section I

Section G - Control Lever and Spring Adjustments

64.	Nut - 3/8" - 24 Hex Jam - 1	115.	Tube - Handle - 1
68.	Rod - Cable Support - 1	116.	Screw - 3/8" - 16 x 2-1/2" Soc. Cap. - 3
69.	Bracket - Cable Support Assembly - 1	117.	Washer - Flat #10 - 1
82.	Washer - Shakeproof - 1	118.	Screw 5/16" - 18 x 1-1/4" Soc. Cap. - 2
86.	Screw - #10 - 24 x 1/2" Soc. Cap. H.D. - 5	119.	Lever - Pressure Control - 1
87.	Plate - Pressure Control Ratchet - 1	120.	Bracket - Pressure Lever - 1
88.	Chassis - Upper Truck - 1	123.	Plate - Spring Adjuster - 1
89.	Screw - 1/4" - 20 x 3/4" Soc. Cap. - 4	132.	Nut - 5/16" - 18 Hex - 1
92.	Handle - Control - 1	133.	Stud - 3/8" Shoulder Soc. Cap. - 1
93.	Handle Feathering - 1	134.	Spring - Pressure Control - 1
95.	Stud - Control Handle - 1	136.	Bracket - Handle - 1
96.	Pin - Cotter 3/32" x 3/4" - 1	137.	Handle - Grip
97.	Pin - Clevis - 1	138.	Washer - Shakeproof #1120 - 12
98.	Yoke - Control Handle Rod - 1	139.	Spring - Buffing - 1
99.	Nut - 3/8" - 16 x 5/16" Hex - 1	268.	Screw - 1/4" - 20 x 3/4" - 1
100.	Rod - Control Handle - 1		

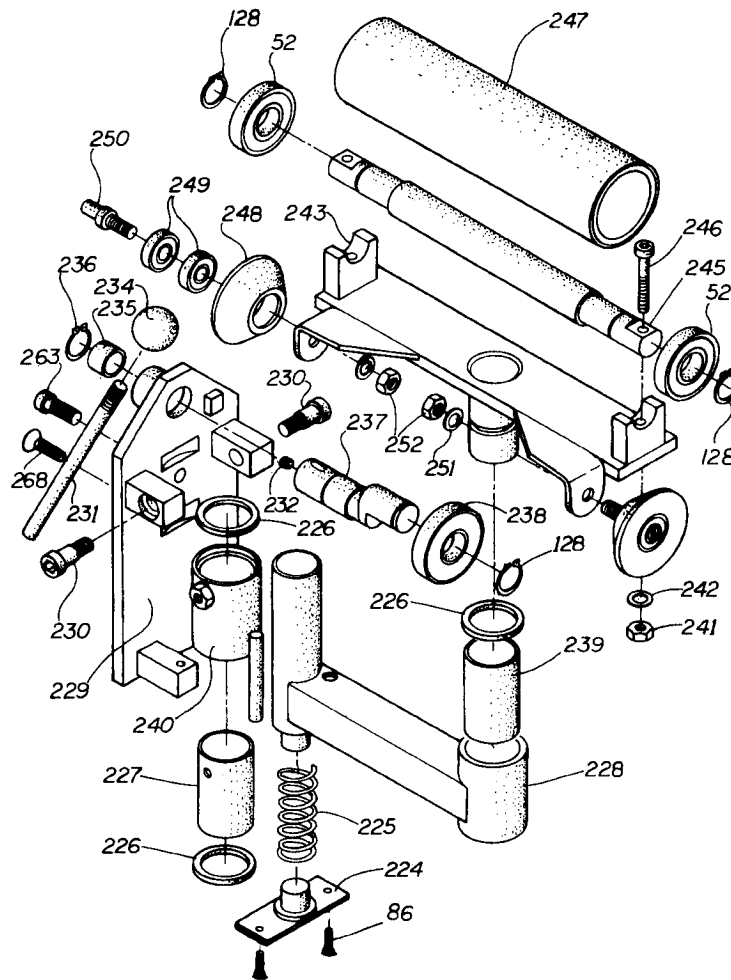
Section H - Wheel Carriage Assembly

56.	Wheel - Front - 2	162.	Ring - Retaining - 4
61.	Washer - Shakeproof - 2	264.	Bearing - 6003 2RS - 4
62.	Nut - 1/2" - 20 Hex Jam - 2	265.	Shaft - Front Wheel - 2
90.	Bearing - Needle - M-12121 - 2	266.	Spacer - Wheel Long - 2
91.	Chassis - Lower Truck - 1	267.	Spacer - Wheel Short- 2

Section I - Rear Wheel Assembly

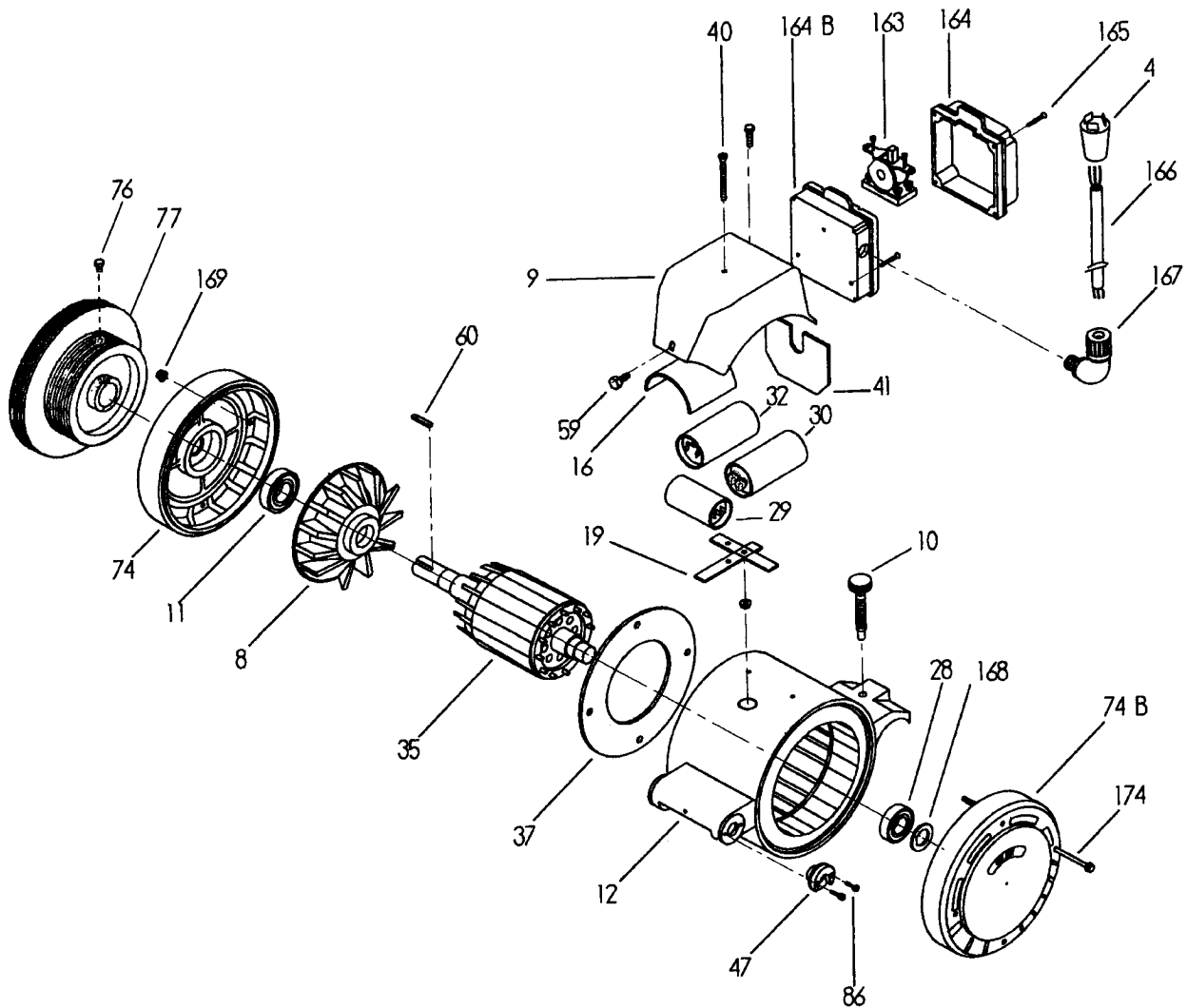
61.	Washer - Shakeproof - 1	129.	Yoke - 1
62.	Nut - 1/2" - 20 Hex Jam - 1	129C.	Yoke Assembly
65.	Shaft - Caster Wheel - 1	130.	Spacer - Caster Collar - 2
67.	Sleeve - Caster Wheel - 1	131.	Wheel - Caster - 1
85.	Washer - 7/8 Shakeproof - 1	132.	Nut - 5/16" - 18 Hex - 1
121.	Screw - #8 - 32 x 1/2" F.H. Machined - 3	162.	Ring - Retaining - 2
122.	Cover - Caster Yoke - 1	238.	Bearing - 6202 2RS - 4
124.	Collar - Short - 1	255.	Shaft - Swivel - 1
125.	Collar - Long - 1		

SANDING BELT GUIDE MECHANISM SECTION J



- | | | | |
|-------|---|-------|--|
| 52. | Bearing - Ball 6202 2RC/C3 - 2 | 239. | Spacer - Idler - 1 |
| 86. | Screw - 10 - 24 x 1/2" Soc. Cap. - 2 | 240. | Housing - Adjusting Cylinder - 1(Incl. 226, 227) |
| 128. | Ring - Retaining 15mm - 3 | 241. | Nut - 1/4" - 28 Hex. Jam - 2 |
| 224. | Bracket - Tension Spring - 1 | 242. | Washer - Lock 1/4" - 2 |
| 225. | Spring - Tension - 1 | 243. | Bracket - Tension Roller - 1 |
| 226. | Seal - Dust TCM0111VM - 3 | 243C. | Bracket - Upper Roller - Complete
(Incl. 52, 128, 247C, 248C, 251, 252) |
| 227. | Bushing - Sleeve 1 | 245. | Shaft - Tension Roller - 1 |
| 228. | Arm - Tension Support - 1 | 246. | Screw - 1/4" - 28 x 1 3/4" Soc. Cap -2 |
| 228C. | Arm Assembly Complete. (Incl. 226, 227, 228, 239, 240) | 247. | Roller - Tension - 1 |
| 229. | Plate - Support Mechanism - 1 | 247C. | Roller - Tension - Complete (Incl. 52, 128, 245, 246, 247) |
| 229C. | Lower Support Mechanism - Complete
(Incl. 86, 128, 224, 225, 228C, 229, 230, 231,
232, 234, 235, 236, 237, 240, 263, 268) | 248. | Roller - Sandpaper Guide - 2 |
| 230. | Screw 5/16" x 3/8" Shoulder - 2 | 248C. | Guide Roller - Sandpaper - Complete (Incl. 248, 249, 250) |
| 231. | Lever - Release - 1 | 249. | Bearing 607-2RS1 - 4 |
| 232. | Screw - Sec 1/4" x 1/4" - 1 | 250. | Shaft - Sandpaper Guide Roller - 2 |
| 234. | Knob - Lever - 1 | 251. | Washer - Lock - 2 |
| 235. | Bearing - Needle SCE 1010 - 1 | 252. | Nut - 6mm Hex. Jam - 2 |
| 237. | Shaft - Roller Release Guide - 1 | 263. | Screw - 5/16" - 24 x 2" Soc. Cap. - 1 |
| 238. | Bearing - 6202 2RS - 1 | 268. | Screw - 1/4" - 24 x 3/4" Flat Soc Cap - 4 |

MOTOR ASSEMBLY SECTION K



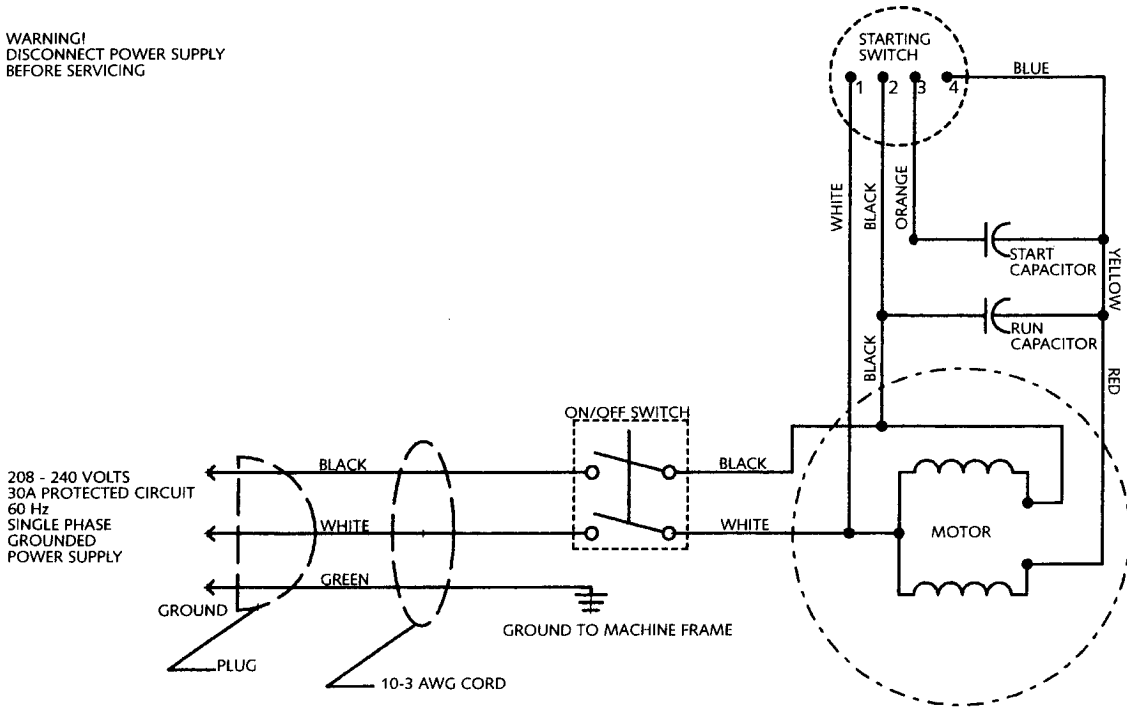
- | | | | |
|------|--------------------------------|-------|-------------------------------------|
| 04. | Plug - Male - 30Amp - 1 | 47. | Plate - Motor Release Pin Guide - 2 |
| 08. | Fan - Cooling - 1 | 59. | Cover - Bolt - 1 |
| 09. | Cover - Capacitor Assembly - 1 | 60. | Key - 1/4" x 1-1/2" - 1 |
| 10. | Screw - Motor Adjust - 1 | 74. | Bell - End Front - 1 |
| 11. | Bearing - 6206 2RS1/C3 - 1 | 74B. | Bell - End Back - 1 |
| 12. | Housing - Motor Assembly - 1 | 76. | Screw - Set 3/8 - 16 x 1/2 - 1 |
| 12C. | Motor Assembly Complete | 77. | Pulley - Motor - 1 |
| 16. | Insulator | 86. | Screw - #10 - 2 |
| 19. | Bracket - Capacitor - 1 | 163. | Switch - On/Off - 1 |
| 28. | Bearing - 6205 - 2RSH - 1 | 164. | Box - Switch Top - 1 |
| 29. | Switch - Sinpac - 1 | 164B. | Box - Switch Bottom - 1 |
| 30. | Capacitor - Starting - 1 | 165. | Screw - 8/32 x 1" F.H. Machined - 4 |
| 32. | Capacitor - Running - 1 | 166. | Cord - Pig Tail - 1 |
| 35. | Rotor - Assembly - 1 | 167. | Retainer - Cord - 1 |
| 37. | Shield - Fan - 1 | 168. | Washer - Spring - 1 |
| 40. | Screw - | 169. | Nut - Flange - 1/4" - 20 - 3 |
| 41. | Insulator | 174. | Bolt - Motor - 4 |

ELECTRICAL SECTION L

GALAXY MOTOR - 7 1/2 HP 60 Hz WIRING DIAGRAM 1/05

MODEL NO. 6506-200

WARNING!
DISCONNECT POWER SUPPLY
BEFORE SERVICING



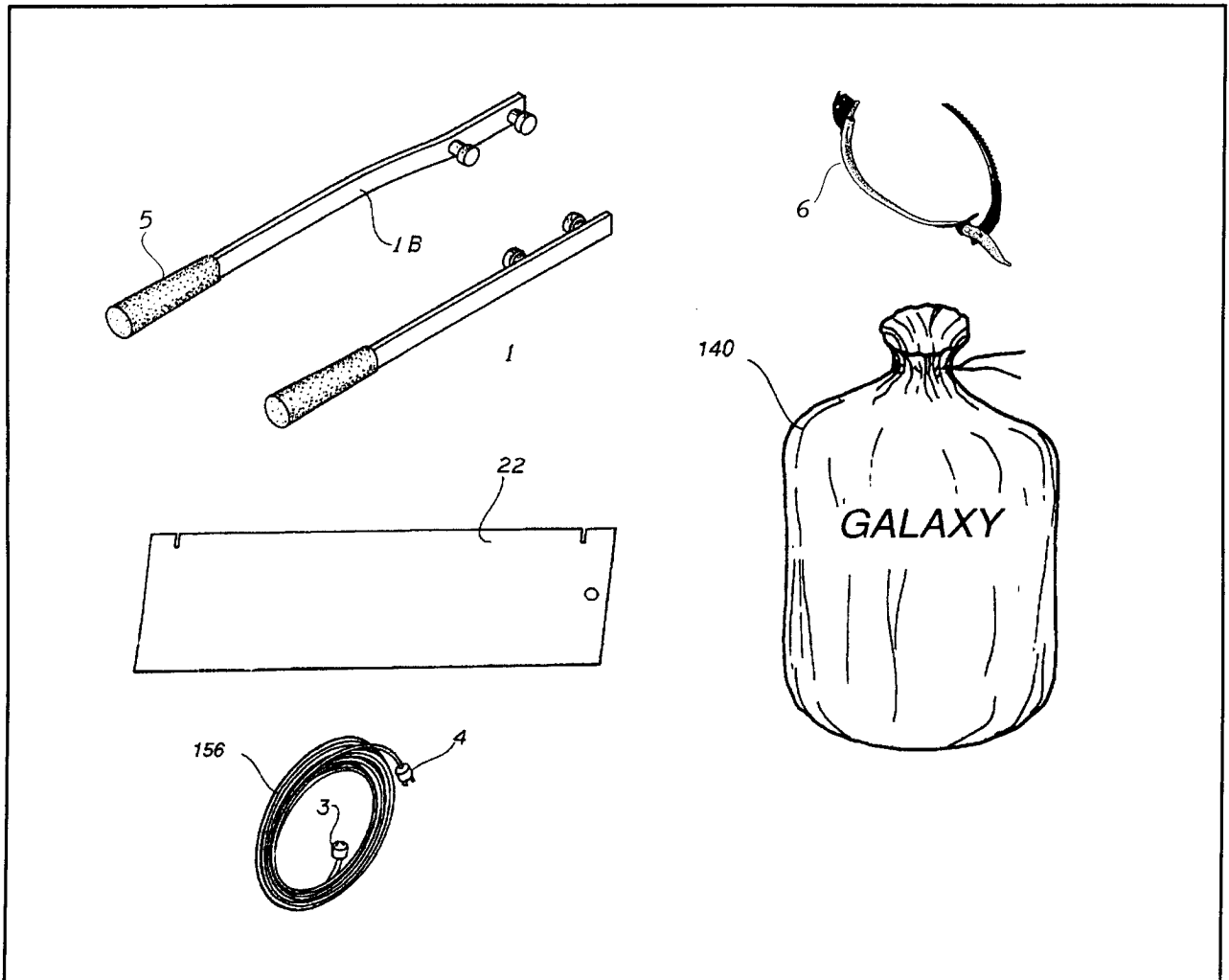
TECHNICAL 1-800-263-5667

- 29. Sinpac
- 30. Capacitor - Starting 218MF

- 32. Capacitor - Running 40MF - 50 MF
- 163. Switch - On/Off.

CARRYING HANDLES & POWER CORD

SECTION M



- | | | | |
|-----|--------------------------------|------|--|
| 1. | Carrying Handle - Straight - 1 | 6. | Clamp - Dust Bag - 1 |
| 1B. | Carrying Handle - Bent - 1 | 22. | Template - Paper Cutting (2000 ONLY) - 1 |
| 3. | Plug - Female 30Amp - 1 | 140. | Dust Bag - 1 |
| 4. | Plug - Male 30Amp - 1 | 156. | 100' Power Cord - 1 |
| 5. | Grip - Carrying Handle - 2 | | |